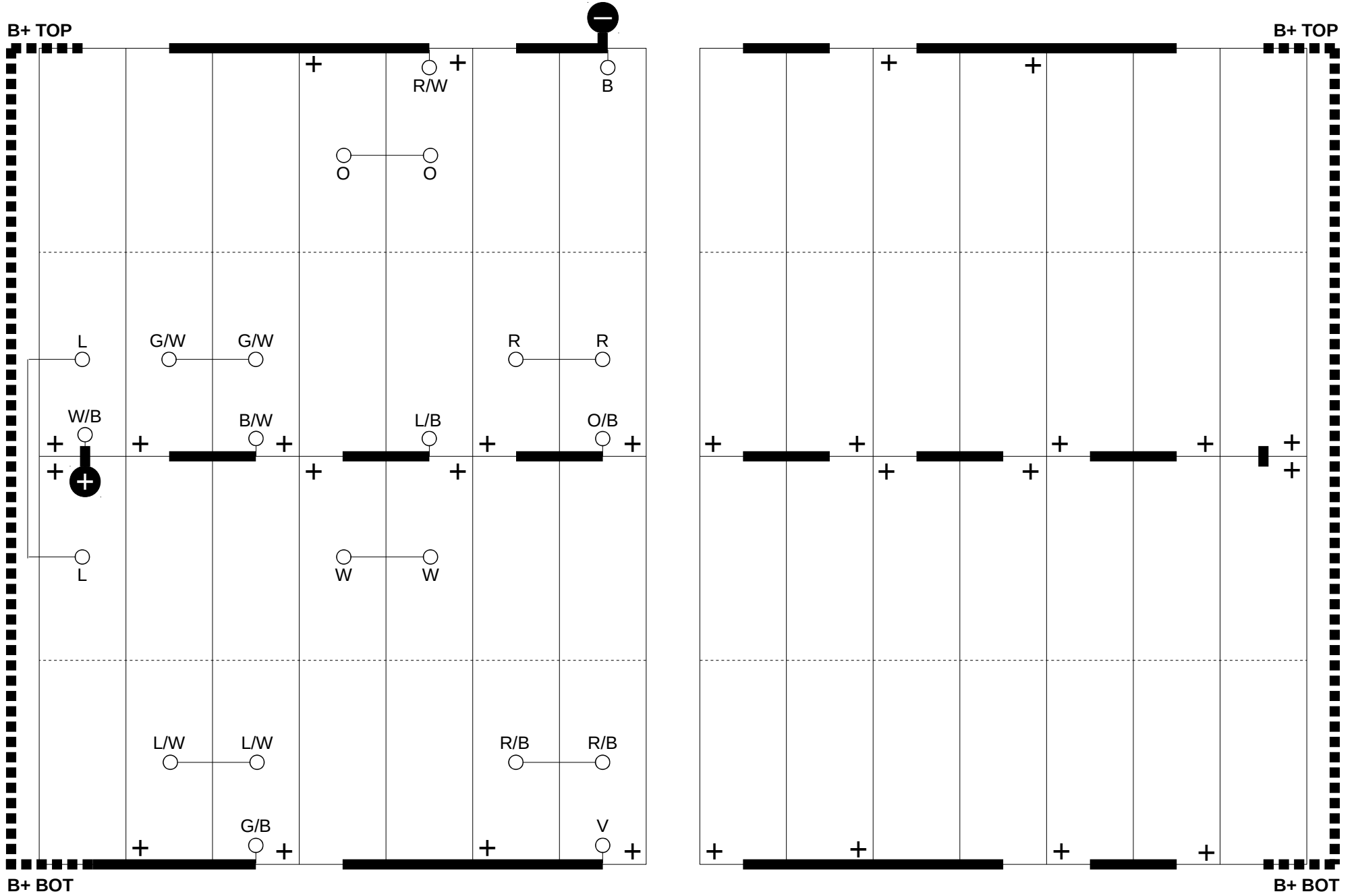


## FRONT

## BACK



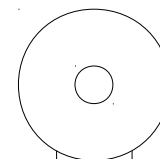
## BMS

Wires on this side go to cell taps

R	R/B	W	O	G/W	L/W	L								Y	B	R			
B	O/B	V	L/B	R/W	B/W	G/B	W/B							O	B	L	Gr	L/W	Gr/B

Each wire has a in-line 4A micro fuse

## BUZZER

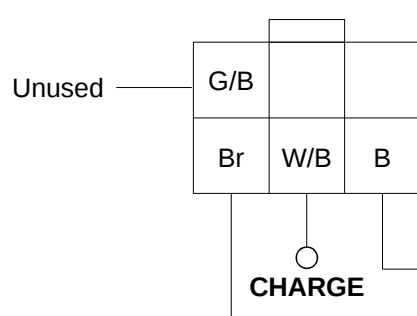


Unused

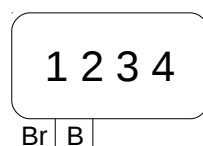
## TEMP SENSOR



## KSI



## MBB



# BATTERY PACK (14s24p) & BMS HARNESS

## 2010 Zero DS

### NOTES

1. Bold lines indicate copper bars; dotted lines indicate insulated wire mesh
2. Symbols are just representative, not following any standard
3. Diagram has been double-checked, but might contain errors
4. I am not responsible for any damage that may occur from the use of this diagram

### Color codes

B - Black  
 Br - Brown  
 G - Green  
 Gr - Gray  
 L - Blue  
 O - Orange  
 R - Red  
 V - Violet  
 W - White  
 Y - Yellow